

ThermoVault Max

Extreme Temperature Thermal Barrier

PRODUCT USER GUIDE

To view the full MadgeTech product line,
visit our website at madgetech.com.



PRODUCT USER GUIDE

Product Overview

The ThermoVault Max is an extreme, high temperature thermal barrier designed for use with the HiTemp140 series. This durable thermal barrier can withstand temperatures up to +400 °C in dry heat applications and +250 °C in wet applications when used with the TMAX Wet Seal Kit (optional accessory).

Compatible Data Loggers

- HiTemp140-M12
- HiTemp140-FP
- HiTemp140-PT

Getting Started

Dry Applications

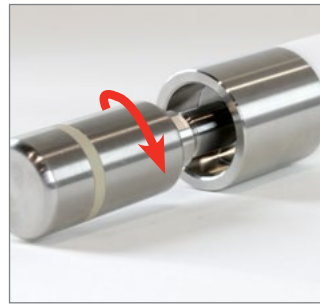
The HiTemp140-FP, HiTemp140-PT HiTemp140-M12 can be used for dry applications up to +400 °C.



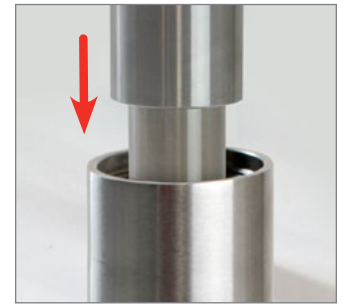
1. Unscrew the lid of the thermal barrier.



2. Feed the probe of the data logger through the bottom end of the lid.



3. If using the HiTemp140-M12 data logger, screw the probe into the bottom end of the barrier lid.

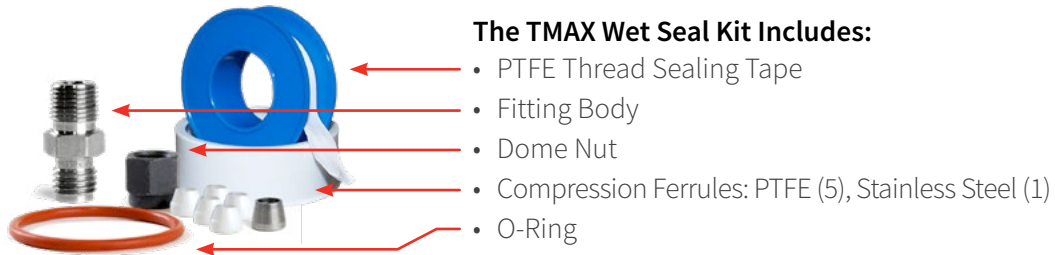


4. Slide the data logger and lid back into the barrier body and screw the lid back on tightly.

PRODUCT USER GUIDE

Wet Applications

For use in wet applications, the TMAX Wet Seal Kit (sold separately, optional accessory) should be used with the HiTemp140-FP, and HiTemp140-PT data logger. When used in wet applications the maximum operating environment cannot exceed 250 °C (482 °F).



Installing the O-Ring: The O-Ring ensures a tight seal which prevents liquid from entering the inside of the barrier. O-Ring maintenance is a key factor when properly caring for the ThermoVault Max. Please refer to the application note “O-Rings 101: Protecting Your Data Logger,” found on the MadgeTech website, for information on how to prevent O-Ring failure.



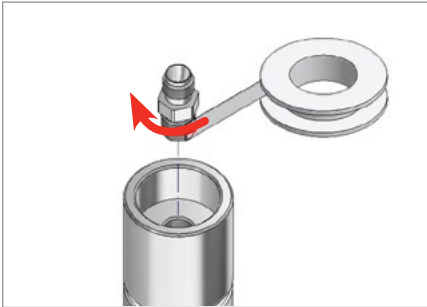
1. Unscrew the endcap of the thermal barrier.



2. Stretch the O-Ring over the endcap so it sits in the groove just beneath the knurled shoulder.

PRODUCT USER GUIDE

Securing the Compression Fitting: The compression fitting is used with the HiTemp140-FP and HiTemp140-PT data loggers to ensure a water tight seal.



1. Wrap the provided PTFE thread sealing tape around the Fitting Body threads.



2. Screw the Fitting Body into the end of the stopper assembly (finger-tight).



3. Holding the smooth metal end of the stopper, use a 7/16" wrench or socket to tighten the body into the stopper.



4. Insert the Compression Ferrule into the Fitting Body and hold it in place loosely with the Dome Nut.

Compression Ferrule Note: The stainless steel Ferrule provides the most reliable seal, but becomes permanent crimped onto the probe. The PTFE Ferrule will become more deformed with multiple uses and will eventually require replacement. It's benefit is that it allows easy removal and repositioning of the probe.



5. Feed the data logger probe through the Compression Fitting until the base of the probe is tightly against the Dome Nut.



6. Tighten the Dome Nut to secure the data logger in place (finger-tight).



7. Insert the data logger and stopper assembly back into the thermal barrier and screw the endcap of the thermal barrier until the O-Ring is no longer visible.

NEED HELP?



Product Support & Troubleshooting

- Visit our Resource Library online at madgetech.com/resources.
- Contact our friendly Customer Support Team at (603) 456-2011 or support@madgetech.com.

